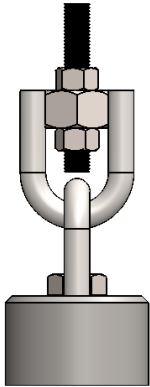
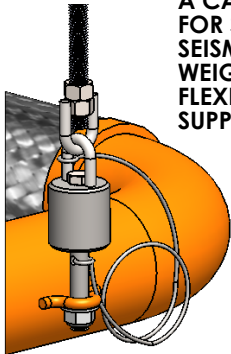


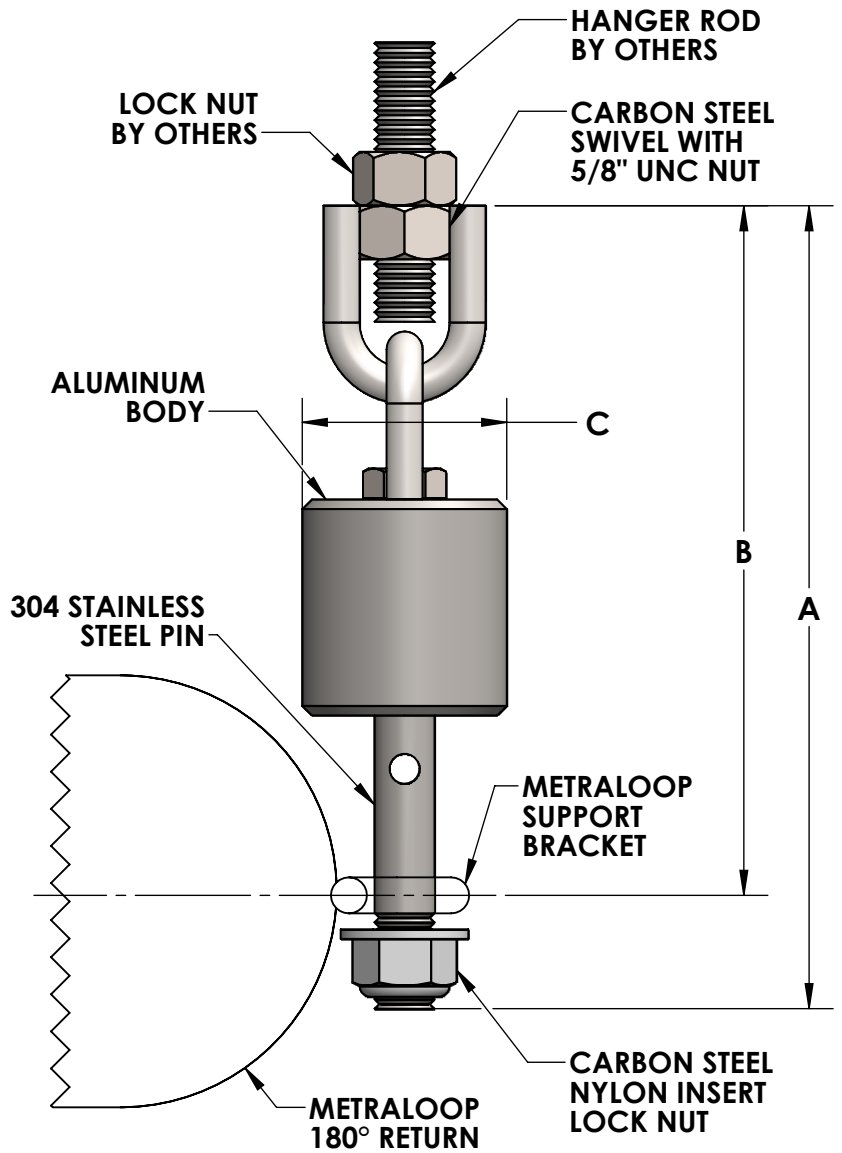
METRALOOP WITH SEISMIC BREAKAWAY HANGER
(FORMERLY BREAKAWAY COUPLING)



IF THE HANGER ROD IS SMALLER THAN THE NUT OF THE SWIVEL HANGER, SIMPLY SLIDE THE UNDERSIZED ROD THROUGH THE NUT AND FASTEN WITH THE APPROPRIATE SIZED NUTS.



A CABLE TETHER IS SUPPLIED FOR SUPPORTING LARGE SEISMIC LOOPS WHOSE WEIGHT OR EXTREME FLEXIBILITY MAY REQUIRE SUPPORT.




SEISMIC BREAKAWAY HANGER SIZING CHART				
LOOP SIZE	LOOP MOVEMENT			
	±4"	±8"	±16"	±24"
1/2"	NOT REQUIRED		SBH65	SBH65
3/4"			SBH65	SBH65
1"			SBH65	SBH65
1-1/4"			SBH65	SBH65
1-1/2"			SBH65	SBH65
2"			SBH65	SBH80
2-1/2"		SBH80	SBH80	SBH130
3"		SBH80	SBH80	SBH130
4"	SBH130	SBH130	SBH130	SBH200
5"	SBH130	SBH130	SBH200	SBH400
6"	SBH200	SBH200	SBH400	SBH400
8"	SBH400	SBH650	SBH650	SBH650

QTY	PART #	A (in)	B (in)	C (in)
	SBH30	7.25	6.375	2.125
	SBH45	7.25	6.375	2.125
	SBH65	7.25	6.375	2.125
	SBH80	7.25	6.375	2.125
	SBH130	9.75	8.75	2.875
	SBH200	9.75	8.75	2.875
	SBH400	12.75	11.625	2.875
	SBH650	12.75	11.625	2.875

CUSTOMER: _____

PROJECT: _____

ENGINEER: _____

REV.	DATE
	
2323 W. HUBBARD ST. CHICAGO, IL 60612 TEL: 312-738-3800 FAX: 312-738-0415 WWW.METRAFLEX.COM	
SEISMIC BREAKAWAY HANGER (FORMERLY BREAKAWAY COUPLING)	
DRAWN BY: DKISH	DATE: 5/16/2018
APPROVED:	DATE:
SCALE: N/A	DRAWING NUMBER: SBH-3